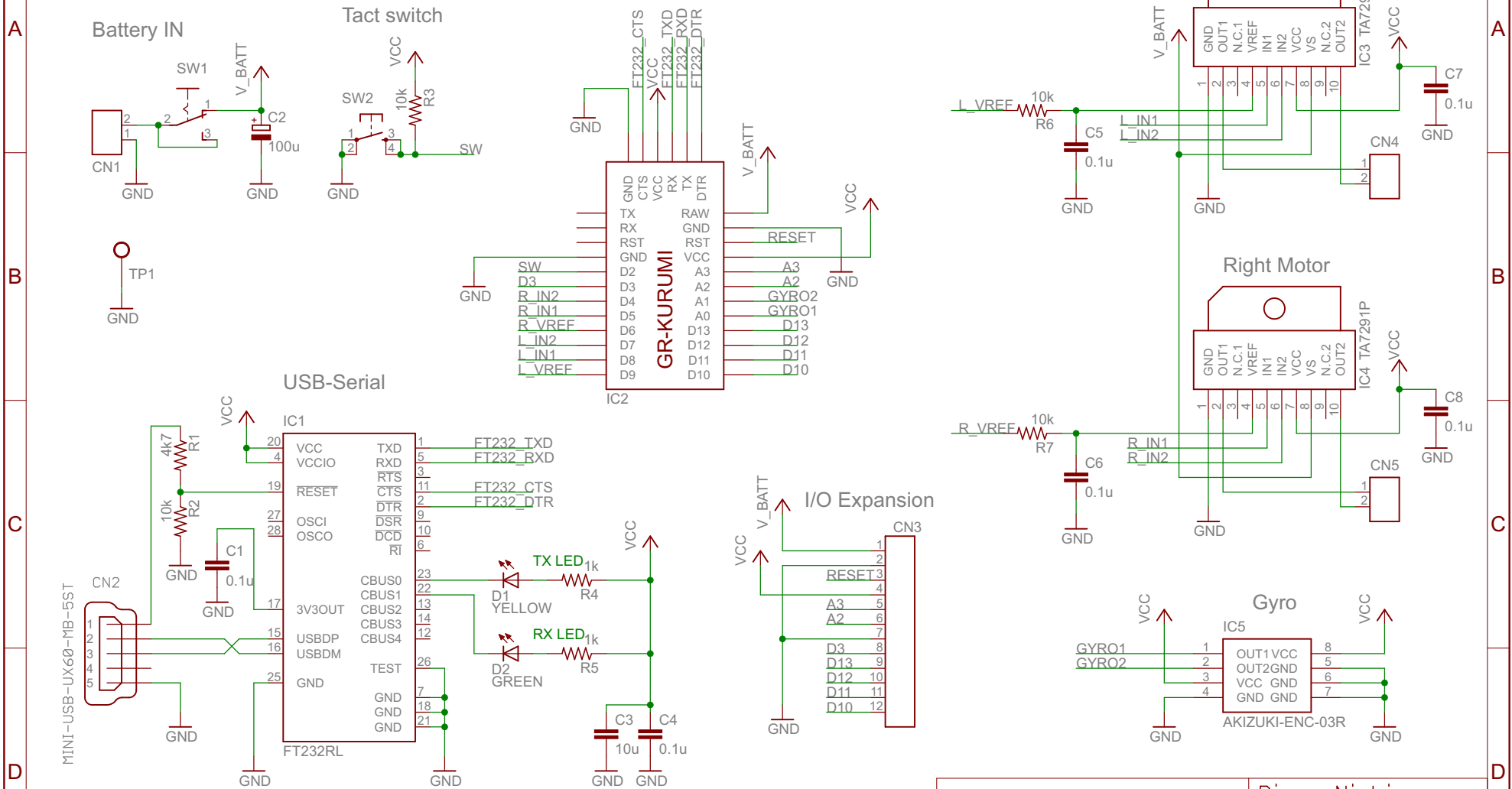


Pendolino-1 The Inverted Pendulum controller powered by GR-KURUMI



Released under the Creative Commons Attribution Share-Alike 3.0 License
<http://creativecommons.org/licenses/by-sa/3.0>
 Pendolino-1 designed by Bizan Nishimura (@lipoyang)

Bizan Nishimura	
Pendolino1	
2014/06/22 16:25:40	
Sheet: 1/1	